

AKAI



473L French Door Fridge

INSTRUCTION MANUAL

MODEL: AK-473-FF



Contents

- 03 General Safety Instructions**
- 06 Product Overview**
- 07 Getting Started**
- 11 Instructions**
- 18 FAQs and Troubleshooting Guide**
- 20 Other Useful Information**

General Safety Instructions

READ CAREFULLY AND KEEP FOR FUTURE REFERENCE

Read this manual thoroughly before first use, even if you are familiar with this type of product. The safety precautions enclosed herein reduce the risk of fire, electric shock and injury when correctly adhered to. Keep the manual in a safe place for future reference, along with the completed warranty card, purchase receipt and carton. If applicable, pass these instructions on to the next owner of the appliance.



Pay particular attention to messages that follow this safety alert symbol or the words **DANGER**, **WARNING** or **CAUTION**. These words are used to alert you to a potential hazard that can seriously injure you and others. The instructions will tell you how to reduce the chance of injury and let you know what can happen if the instructions are not followed.



WARNING: Risk of fire

This symbol alerts you to take care as the appliance contains flammable materials: isobutane as refrigerant and cyclopentane as insulation blowing gas. While isobutane (R600a) is a gas with a high level of environmental compatibility, it is nevertheless flammable. Do not expose the appliance to high heat, sparks and open flames.

Refrigerant matters

WARNING: Do not damage the refrigerant circuit! Never use an appliance with a damaged refrigerant circuit! If the refrigerant circuit becomes damaged during transport or installation, avoid proximity to open fires and all types of heat and ignition sources. Thoroughly ventilate the room in which the appliance is located.

The room for installing the appliance must be at least 1m³ per 8g of refrigerant. The amount and type of refrigerant in the appliance can be found in the technical specifications and on the appliance rating plate. It is hazardous for anyone other than an authorised service person to service this appliance. In Queensland, the authorised service person MUST hold a Gas Work Authorisation for hydrocarbon refrigerants to carry out servicing or repairs which involve the removal of covers.

Responsible disposal

At the end of its working life, do not throw this appliance out with your household waste. Electrical and electronic products contain substances that can have a detrimental effect on the environment and human health if disposed of inappropriately. Observe any local regulations regarding the disposal of electrical consumer goods and dispose of it appropriately for recycling and recovery of the refrigerant and blowing agent.

WARNING! This refrigeration appliance contains flammable refrigerants and insulation blowing gases, which must be removed before disposal. Contact your municipal authorities for any codes or regulations concerning the disposal of such materials.

DANGER! Risk of child entrapment: When discarding this or another refrigerator, pull the plug out of the socket, cut the connection cable (as close to the appliance as you can) and remove the doors to prevent playing children to suffer electric shock or to get trapped inside the appliance. If the discarded appliance has a spring lock (latch) on the door or lid, make the spring lock unusable to prevent it from becoming a death trap for children.

General Safety Instructions (Cont.)

To reduce the risk of fire, electric shock or injury, always follow basic safety precautions and accident prevention measures when using this appliance, including the following:

Electrical safety

- **Voltage:** Plug the appliance in a 220-240V, 50Hz, properly earthed power outlet, which must be in good working order. Make sure your outlet voltage and circuit frequency correspond to the voltage stated on the appliance rating label.
- **Power connection:** Do not use an adaptor; do not use an extension cord. Plug the power plug directly into a separate power point that cannot easily be turned off accidentally, and that is easily accessible so you can switch it off when required.
- **Power cord:** Do not kink or damage the power supply cord.
- **WARNING:** When positioning the appliance, ensure the supply cord is not trapped or damaged.
- **WARNING:** Do not locate multiple portable socket-outlets or portable power supplies at the rear of the appliance.
- **Damaged cord:** Do not use a cord that shows cracks or abrasion damage along its length or at either end. Any damage to the cord may cause a short circuit, fire and/or electric shock. If the power cord is damaged, it must be replaced by the manufacturer or its service agent. Contact the after sales support line for advice.
- **WARNING!** The **light bulb** supplied with this appliance is a special use bulb, which is only suitable for use with this appliance, it is not usable for domestic lighting. Do not use the appliance without the lamp properly installed. Do not touch the light bulb if it has been on for a long period of time, as it could be very hot. The interior lamp can only be replaced by authorised service personnel. Please contact our after sales support centre for a service if the lamp needs replacing.
- **Disconnection:** Never unplug the unit by pulling the cord. Always grip the plug firmly and pull straight out from the power point.
- **Electrical work:** All electrical work associated with the installation must be carried out by a licensed electrician.

Usage conditions and restrictions

- **Indoor domestic use only:** This appliance is intended for indoor domestic use only. It is not suitable for industrial or commercial use.
- **Intended purpose:** Do not use this appliance for anything other than its intended purpose, and only use it as described in this manual. Do not attempt to alter or modify this appliance in any way.
- **Usage restrictions:** This appliance is not intended for use by persons (including children) with reduced physical, sensory or mental capabilities, or lack of experience and knowledge, unless they have been given supervision or instruction concerning the use of the appliance by a person responsible for their safety.
- **Children:** Supervise children to ensure they do not play with the appliance. Close supervision is necessary when any appliance is used by or near children. Never allow children to operate, play with or crawl inside the appliance.
- **WARNING!** Do not use any **electrical appliances** (such as ice cream makers) inside refrigeration appliances, unless they are approved for this purpose by the manufacturer.

General Safety Instructions (Cont.)

Cleaning and maintenance

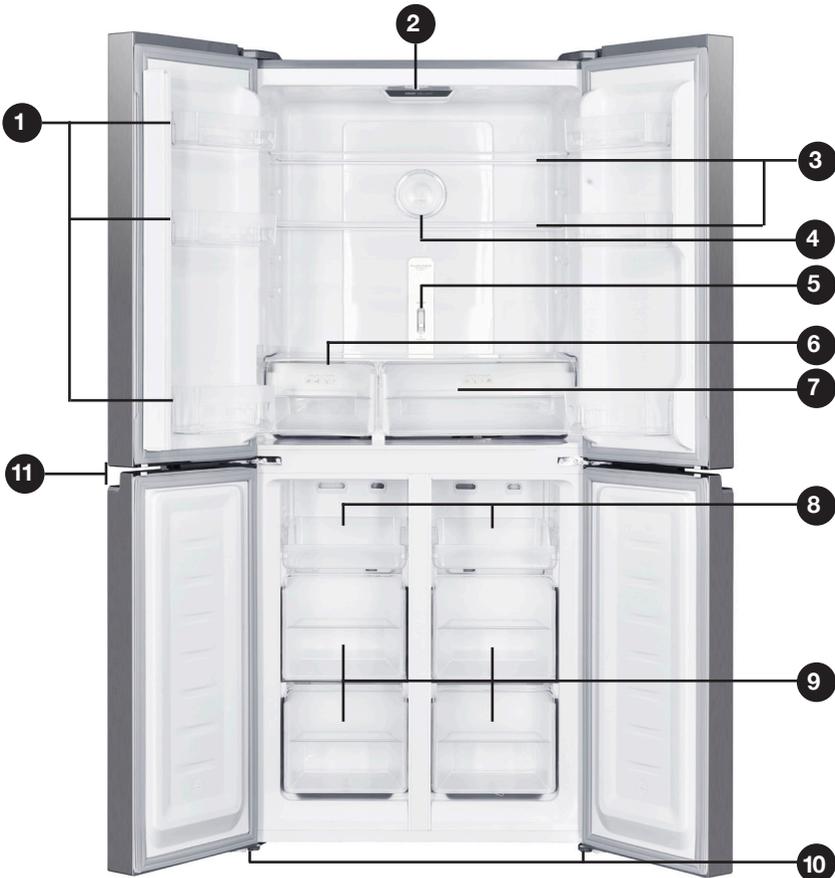
- **Disconnect:** Switch off and unplug the appliance from the mains socket before cleaning, maintenance or servicing. Failure to do so can result in electric shock, injury or death. Do not connect or disconnect the plug when your hands are wet.
- **Flames:** Do not let open flames or ignition sources enter the appliance.
- **Flammable/explosive substances:** Never clean this appliance with flammable fluids. Do not store or use volatile, flammable or explosive substances such as aerosol cans with a flammable propellants in or close to this or any other appliance. The fumes can create a fire hazard or explosion.
- **Solvents:** Do not use solvent based cleaning agents or abrasives on the interior as these may damage or discolour the surfaces of the appliances.
- **WARNING!** Do not use **mechanical devices** or other means to accelerate the defrosting process, other than those recommended by the manufacturer. Never use a sharp or metal instrument to remove frost or clean the fridge. Use a plastic scraper, if necessary.
- **Service:** Do not attempt to repair, modify or replace any part of the appliance unless specifically recommended in this manual. Refer all other servicing to a qualified technician, or contact the after sales support centre for advice.

Installation

- **Heavy:** This appliance is heavy, take care when moving it. To avoid back or other injury, consider a two person lift or mechanical aid when installing it. Failure to do so can result in back or other injury.
- **Freestanding design:** This appliance is designed to be freestanding only and should not be recessed or built in.
- **Keep it upright:** Do not tilt the fridge more than 45° from upright when moving it.
- **Handle with care:** Do not apply force to any part such as the condenser or door.
- **WARNING: Ventilation:** To ensure proper ventilation, keep any ventilation openings, in the appliance enclosure or in the built-in structure, clear of obstructions. Ensure adequate air circulation around the appliance to prevent overheating.
- **Level:** Install the appliance level in order to ensure proper operation.
- **Location:** Install the appliance in an area that meets the following requirements:
 - **Ambient temperature:** The ambient temperatures must correspond to the climate class (T) indicated on the rating plate of the appliance: 16°C–43°C.
 - **Floor surface:** The floor must be sturdy, level (or nearly level) and strong enough to support the unit when it is fully loaded.
 - **Areas to avoid:** Avoid areas where the appliance would be exposed to direct sunlight, sources of heat (stove, heater, radiator, etc.), extreme cold ambient temperatures or excessive moisture and high humidity (such as outdoors or exposed to wind, rain water spray or drips). Installing it in the coolest area of the room will save energy consumption and running costs.

Product Overview

Scope of delivery



A Parts list

- 1 Door balconies (6)
- 2 Interior LED light
- 3 Removable glass shelves (2)
- 4 Anti-bacteria and deodorisation module
- 5 Chiller and crisper temperature control
- 6 Chiller drawer with temperature control
- 7 Crisper drawer with humidity control
- 8 Freezer slide-out trays (2)
- 9 Freezer drawers (4)
- 10 Levelling feet
- 11 Recessed handles

B Accessories bag (not shown)

- C-type washers (3)
- Rubber blocks (2)

C Documentation (not shown)

- Instruction manual
- Warranty certificate

Getting Started

Unpacking

- **Packaging materials:** This product has been packaged to protect it against transportation damage. Remove all packaging materials from around and inside the appliance and keep the original packaging carton and materials in a safe place. It will help prevent any damage if the product needs to be transported in the future, and you can use it to store the appliance when it is not in use. In the event that the carton is to be disposed of, please recycle all packaging materials where possible.
Plastic wrapping can be a suffocation hazard for babies and young children, so ensure all packaging materials are out of their reach and disposed of safely.
- **Parts:** Check to ensure you have all the parts listed in the Product Overview section.
- **Damage:** When unpacking, check the appliance carefully for damage. If it is damaged, do not install the appliance. Contact our after sales support centre for advice on examination or return of the damaged appliance.
- **Power cord:** Unwind the power cord to its full length and inspect it for damage. Do not use the appliance if the appliance or its cord have been damaged or are not working properly. In case of damage, contact our after sales support centre for advice on examination, repair or return of the damaged product.
- **Read the manual:** Before installing your new fridge, read all safety instructions, especially the sections on installation and electrical safety. Installation instructions follow on the next pages.
- **Clean:** Make sure the appliance is disconnected from the power supply before cleaning the interior. Remove any tape that secured drawers, trays and shelves during transport. Clean the interior surfaces and all internal accessories with lukewarm water, a soft cloth and a neutral/mild soap/detergent. This will remove any dust from transit and storage and help remove the typical smell of a brand new product. Then dry thoroughly.
CAUTION: Do not use harsh or abrasive detergents or powders as these will damage the finish.

NOTE:

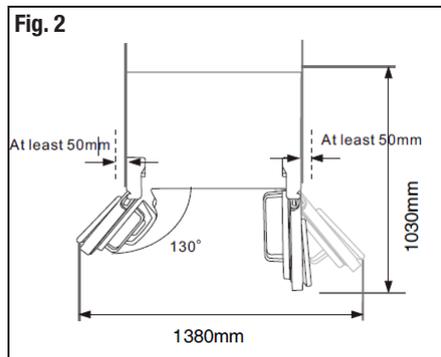
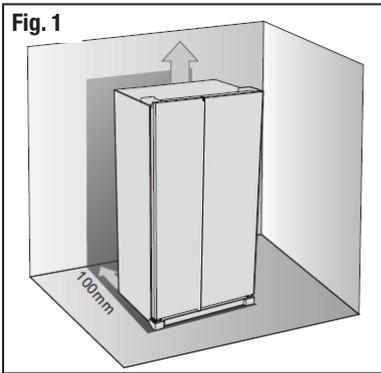
Due to continued product improvement, images and illustrations in this manual may vary slightly from the product purchased. All images in this manual are for reference purposes only. Parts are not necessarily pictured to scale.

Getting Started (Cont.)

Installation

Space requirements

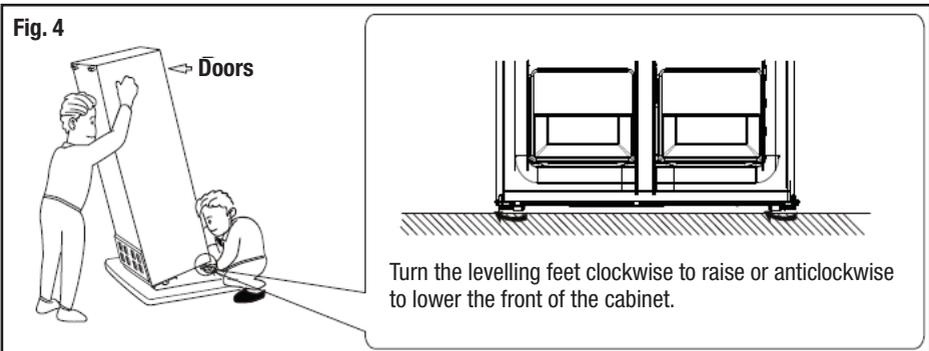
- **Door opening:** Place the unit so there is enough space for the doors to open easily.
- **Clearances:** Ensure that air can circulate freely around the back of the cabinet, which is necessary to cool the compressor and condenser. Allow at least 100mm clear space at the back of the unit (Fig. 1) and 50mm at the sides (Fig. 2).
- **Overhanging wall units:** To ensure best performance, if the appliance is positioned below an overhanging wall unit, the minimum distance between the top of the cabinet and the wall unit must be at least 100mm. Ideally, however, the appliance should not be positioned below overhanging wall units.



Levelling the appliance

The appliance must be installed level so that it can work properly and the magnetic doors seals are properly aligned.

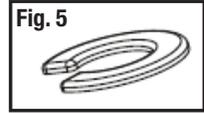
- To move the unit, tilt it slightly backward onto its wheels (Fig. 3).
- To level the unit, adjust one or both levelling feet at the base of the cabinet (Fig. 4).



Getting Started (Cont.)

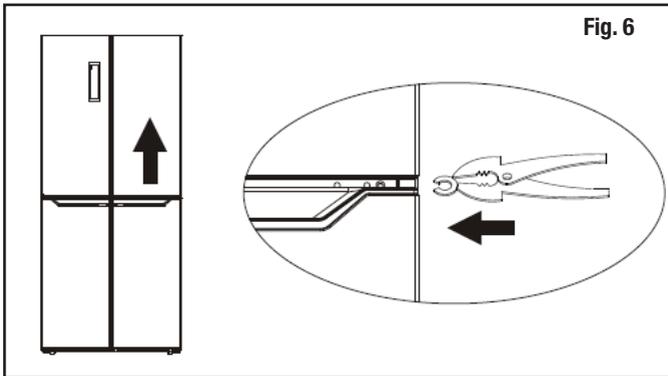
Levelling the doors

The accessories bag includes three C-type washers (Fig. 5), which you can use to realign the fridge compartment (upper) doors. They may be slightly out of alignment after transportation, or after you have loaded items on the door balconies.



Should the doors need to be realigned, please proceed as follows:

- Before checking the door alignment, make sure that the appliance is standing in an upright, level position.
- If the top of the two upper doors looks out of alignment, slightly lift the lower part of the door and, using pliers, insert one C-type washer between the bottom of the door and the middle hinge (Fig. 6).



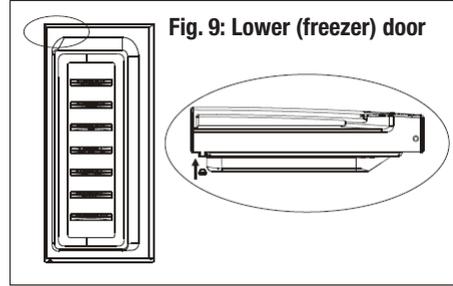
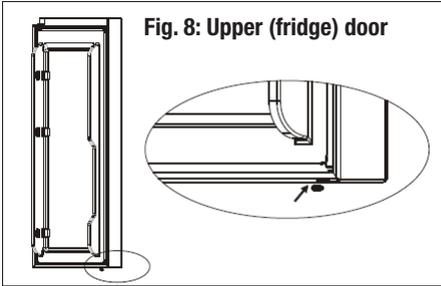
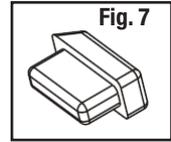
WARNING!

- Be careful so that you do not get your fingers caught between the doors. Use a tool to avoid injury.
- Keep the C-type washers out of children's reach. They are small parts and could easily be swallowed.

Getting Started (Cont.)

Rubber buffers

Each door has a rubber block (or buffer, Fig. 7), which helps relieve the impact on the cabinet when the door closes. Do not pull out these rubber blocks. If they are missing from the doors, please take one from the accessories bag and insert it into the hole in the door, as illustrated below (Fig. 8+9).



WARNING!

Keep the rubber blocks out of children's reach. They are small parts and could easily be swallowed.

Electrical connection

- **WARNING!** It must be possible to disconnect the appliance from the mains power supply; the plug must therefore be easily accessible after installation.
- **Before plugging in your new fridge, let it stand upright for at least 4 hours.** This will allow the refrigerant gases to settle into the compressor and reduce the possibility of a malfunction in the cooling system.
- The appliance must be earthed. The plug of the power supply cord is equipped with a contact for this purpose. Do not under any circumstances cut or remove the third (earth) prong from the power cord. If the plug does not fit your outlet, please consult a licensed electrician for advice to have the outlet changed.
- Plug the unit into a dedicated, properly installed and earthed wall outlet. Ensure that your outlet voltage and circuit frequency correspond to the voltage stated on the appliance rating label.
- Secure the power supply cord behind the unit. Do not leave it exposed or dangling to prevent injury and accidental disconnection from the power supply.
- Adjust the temperature controls..

Instructions

Control panel

The control panel (Fig. 10) is located on the outside door of the refrigerator compartment. It enables you to view and adjust the temperature in the fridge and freezer compartments, select an operation mode or lock the control panel.

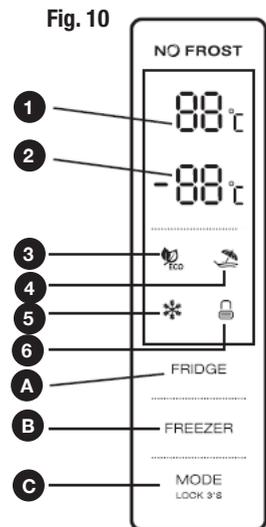
- The control panel display lights up for 2 minutes once the door of the fridge or freezer compartment is opened (one door signal is sensed at a time), or when any control is pressed.
- On first connection, the display shows the factory default (preset) temperatures for the fridge and freezer compartments. During normal operation, the temperature displays of the fridge and freezer compartments indicate the temperature of the current settings.
- The control panel will be locked automatically 25 seconds after the last control panel operation, and the control panel illumination will extinguish 2 minutes thereafter.

LED display

- 1 Temperature (of the fridge compartment)
- 2 Temperature (of the freezer compartment)
- 3 Eco mode indicator
- 4 Holiday mode indicator
- 5 Super Freezing mode indicator
- 6 Locked / unlocked indicator

Operation controls

- A Fridge temperature control
- B Freezer temperature control
- C Mode / locking / unlocking



Instructions (Cont.)

Operation modes

The appliance can be set to four different operation modes:
Eco → Holiday → Super Freezing → Customised.

- **To choose the desired operation mode**, touch the MODE control, repeatedly, until the desired mode is displayed (there is no icon for the Customised mode). The relevant indicator will flash for 5 seconds, which indicates that the mode has been set.
- **To exit the set mode**, touch the MODE control and select a different mode.

Eco mode

This is the recommended mode for normal, day-to-day operation. In Eco mode, the appliance maintains the temperature in the fridge compartment at 5°C and in the freezer compartment at -18°C. The FRIDGE and FREEZER controls are ineffective.

Holiday mode

This is the recommended mode for when you are on holidays and want to switch off the fridge. In Holiday mode, the appliance maintains the temperature in the fridge compartment at 17°C, which means there is no refrigeration, and the FRIDGE control is ineffective. The freezer continues to run, keeping your frozen food frozen.

Super Freezing mode

We recommend you select Super Freezing mode when you have added large amounts of fresh food to the freezer for fast freezing. In Super Freezing mode, the temperature in the freezer compartment drops to -25°C and the FREEZER control is ineffective. The temperature is maintained at -25°C for 50 hours, or until you exit the mode.

Customised mode

In Customised mode, the temperature in the freezer and fridge compartments can be set individually to suit your specific needs. The other mode indicators will be off.

Operation control feedback

Every touch of an operation control will be acknowledged with a short beep.

Control panel lock

- **To lock the control panel**, touch and hold the MODE control for 3 seconds until a beep acknowledges that the control panel is now locked.
- **To unlock the control panel** before any operation, touch and hold the MODE control for 3 seconds until a beep acknowledges that the control panel is now unlocked and all controls are functional.
- **Auto lock:** After 25 seconds of inactivity, the control panel will be locked automatically. **To change a mode or adjust a temperature, you must first unlock the control panel** by pressing and holding the MODE control for 3 seconds before entering the required operation steps.

Instructions (Cont.)

Temperature control of the fridge compartment

The temperature for the fridge compartment can be set in Customised and Super Freezing mode (see opposite for a description of the modes). To set the temperature in the fridge compartment:

- Press and hold the MODE control for 3 seconds to unlock the control panel.
- Touch the FRIDGE control, it will start flashing. Keep touching the control repeatedly until the desired temperature is displayed. The temperature will be adjusted in the following sequence:
2°C → 3°C → 4°C → 5°C → 6°C → 7°C → 8°C → OFF.
The temperature display will then flash for 5 seconds, which indicates that the temperature has been set.
- **To shut off refrigeration in the fridge compartment**, touch the FRIDGE control repeatedly until the display shows “OFF”.

Temperature control of the freezer compartment

The temperature for the freezer compartment can be set in Customised and Holiday mode (see opposite for a description of the modes). To set the temperature in the freezer compartment:

- Press and hold the MODE control for 3 seconds to unlock the control panel.
- Touch the FREEZER control, it will start flashing. Keep touching the control repeatedly until the desired temperature is displayed. The temperature can be adjusted from -14°C to -22°C. The temperature display will then flash for 5 seconds, which indicates that the temperature has been set.

First use (default settings)

When you first switch on the appliance, it will start operation at the factory default settings: 5°C in the fridge and -18°C in the freezer compartment. Unless you need the appliance to become operational as soon as possible, there is no need to adjust these temperatures for normal operation.

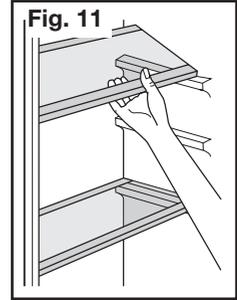
If you require a fast cool-down, please set the temperature controls to the coldest settings. Let the unit run for about 2 hours and then adjust the temperatures to the factory default settings, or to those that best suit your needs.

Instructions (Cont.)

Fresh food storage

The fridge compartment is suitable for short-term storage of all your fresh food.

- The **temperature** inside the fridge compartment varies depending on the amount of food stored and the frequency of door opening. It is low enough to limit some bacterial growth, but it is not suitable for long-term storage of perishable foods.
- The walls of the fridge are equipped with a series of runners so that the **two glass shelves** can be positioned to suit individual storage requirements (Fig.11).
- The **door balconies** are suitable for storage of food and drink bottles, cans and jars. The balconies are non-adjustable.

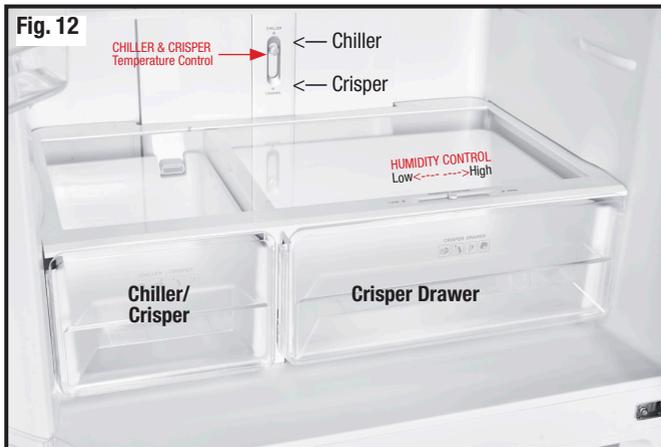


The “fresh zone”

A “fresh zone” at the bottom of the fridge compartment is designed to help you keep your fresh produce at optimum storage conditions. It consists of a covered chiller drawer with humidity control, and a covered chiller/crisper drawer with temperature control that can be adjusted to suit the food stored (Fig. 12).

Chiller/crisper drawer

The smaller chiller/crisper drawer in the “fresh zone” is suitable for short-term storage of fresh produce, or for fruit and vegetables. Its temperature control at the back of the cabinet wall can be adjusted to suit the food stored.



Instructions (Cont.)

- **CHILLER:** Push the temperature control knob upwards to the CHILLER position to store highly perishable foods in the CHILLER/CRISPER compartment. The temperature will now be lowered in the chiller compartment for short-term storage of meats, poultry or seafood, keeping it fresh, but not frozen. The CHILLER compartment is also suitable for keeping frozen food for a short storage time before use, or for chilling foods briefly before freezing.

Tip: In order to keep produce as fresh as possible when using the CHILLER function, we recommend you set the fridge temperature to below 4°C and keep the food for no longer than three days.

- **CRISPER:** Push the temperature control knob downwards to the CRISPER position to store fresh fruit or vegetables in the CHILLER/CRISPER compartment. The temperature and humidity will now be maintained at a level suitable for short-term storage of fresh fruit and vegetables.

Crisper drawer

The larger crisper drawer in the “fresh zone” is suitable for short-term storage of fresh fruit and vegetables. It has a humidity control on the cover, which can be opened or closed to suit the food stored.

- **LOW:** A low humidity environment (with the humidity control opened) is best for storing fruit, allowing ethylene gases to escape and preventing fruit from rotting prematurely.
- **HIGH:** A high humidity environment (with the humidity control closed) is best for storing vegetables, allowing moisture to develop and keeping greens crisper.

Fresh food storage tips

- In order to maintain good cooling efficiency and save energy, do not open the doors for too long or too often.
- Do not overload the fridge, and keep enough space around items for cold airflow. Do not block ventilation openings. Do not place items directly against the back wall.
- Let hot food cool down to room temperature before storing them in the fridge. Otherwise the cooling capacity will be affected and power consumption increased. Hot items may also affect the plastic parts inside the appliance.
- If necessary, wipe containers clean and dry before storage in the refrigerator.
- Thaw frozen foods in the fridge compartment to ensure safety and save energy.
- Use sealed containers or storage bags to prevent food from drying out, losing its taste or taking on aromas from other foods.
- Cover cooked foods and store them on any shelf in the fridge compartment.
- Store butter and cheese in airtight containers, or wrap them thoroughly.
- Make sure milk bottles are properly closed before storage on a door balcony.
- Do not keep bananas, potatoes, onions and garlic in the refrigerator.

Instructions (Cont.)

The freezer compartment

The freezer compartment (at the bottom of the appliance) is suitable for freezing domestic quantities of fresh food and long-term storage (up to three months) of frozen food. It is designed to operate in ambient (surrounding air) temperatures between 16°C and 43°C. For convenient access and organised storage, the freezer compartment is equipped with two trays and four drawers, which all slide out easily.

Freezing fresh food

- Only freeze fresh food that has been thoroughly cleaned.
- Do not store food uncovered in the freezer. Always use good quality, freezer-proof packaging to maintain food quality. Remove air from packages of solid food and seal bags tightly before freezing.
- Ensure that food placed in the freezer is dated and labelled. This will help you keep track of storage times.
- Keeping portions small will ensure they are frozen (and subsequently defrosted) rapidly.
- Make sure that fresh, unfrozen food packages do not touch food that is already frozen, thus avoiding a temperature rise in the frozen food.
- When freezing food, do not push food together too much, leave some space for air to circulate around each item. Do not place packages directly against the back wall.
- When adding large amounts of fresh food to the freezer, keep in mind that it will take approximately 24 hours for fresh food to freeze to solid frozen state. For best results, do not add other fresh food to the freezer drawer during this time.
- Do not place hot foods or liquids which may evaporate in the freezer compartment.

Storing frozen food

- When buying frozen food, only buy quantities that you can store straight away; use an insulated container/bag for your shopping and when you get home, place the food in the freezer immediately.
- When storing pre-packed, commercially frozen food, follow the food manufacturer's instructions for storing the food in a home freezer. Do not exceed any storage times listed on the packaging.
- Once you have opened a packet of frozen food, rewrap it airtight to prevent surface evaporation which causes drying or freezer burn.
- Do not store bottles in the freezer as they may shatter. Do not store carbonated liquids such as bottles of fizzy drink in the freezer as the container could explode under pressure and damage the freezer.
- Do not refreeze food once it has been defrosted. If it has thawed accidentally, use it up immediately or throw it away. Alternatively, if the food is uncooked and has not been completely defrosted, it may be cooked and then refrozen.
- **CAUTION!** Do not remove items from the freezer if your hands are damp or wet as this could cause skin abrasions.

Instructions (Cont.)

Energy saving tips

- Locate the appliance in the coolest area of the room, away from heat-producing appliances and out of direct sunlight.
- Let hot foods cool to room temperature before placing them in the freezer. Overloading the compartments forces the compressor to run longer.
- Wrap foods properly, and wipe containers dry before placing them in the freezer compartment. This cuts down on frost build-up inside the unit.
- Do not line the storage drawers or shelves with aluminium foil, wax paper or paper towelling. Liners interfere with cold air circulation, making the appliance less efficient.
- Do not pack food packages close together as this prevents air circulating. Position packages so that air can circulate freely around them.
- Organise and label food to reduce door openings and extended searches. Remove as many items as needed at one time and close the door as soon as possible.
- Do not open the door of the fridge or freezer compartment unnecessarily or leave it open for longer than required, especially during a power failure.
- Do not run the appliance permanently on the lowest temperature setting.

Power failure

- Most power failures are corrected within a few hours and should not affect the temperature inside your fridge or freezer compartments, if you minimise the number of times the doors are opened. However, if the power is going to be off for a longer period of time, you need to take proper steps to protect your food.
- Do not refreeze frozen food without checking its condition first. If in doubt, discard the food. Do not refreeze food that has thawed completely.

Going away?

- **Short vacation:** Leave the appliance operating during vacations of less than a month.
- **Long vacation:** If you are not going to use the appliance for longer periods, remove all food and unplug the power cord. Clean and dry the interior thoroughly. To prevent odour and mould growth, leave the door open slightly, blocking it open, if necessary. (Restrict children's access to the room with the open appliance to avoid creating a child entrapment risk.)
- **Holiday mode:** Choose this mode if you want to switch off the fridge but keep the freezer operating. Empty and prepare the fridge as described above.

Moving the appliance

- Remove all food from inside the fridge and freezer compartments, securely tape down the drawers and shelves and tape the doors shut. Turn the levelling feet up to the base to avoid damage.
- Protect the outside of the unit with a blanket or similar soft material and make sure the appliance stays secure in the upright position during transportation.

FAQs and Troubleshooting Guide

If you experience a problem with the appliance, check in the following table for solutions to help you solve the problem. If none of the solutions offered help you solve the problem, contact our after sales support centre for advice.

Problem	Possible cause
The appliance does not operate.	<ul style="list-style-type: none"> • It is not plugged in. Ensure it is properly plugged in and there is power at the socket (plug another appliance into the outlet to check). • The circuit breaker tripped or has blown a fuse. • The fridge temperature control is set too warm. • A general power outage has cut power to your home (check the household lights).
The appliance turns on and off frequently.	<ul style="list-style-type: none"> • The room temperature is hotter than normal. • A large amount of food has been added to one of the compartments. • The fridge or freezer door is opened too often, or not closed completely. • The door gasket does not seal properly. Check and ensure the doors are properly aligned. • The appliance does not have the correct clearances around it for air circulation.
There are vibrations.	<ul style="list-style-type: none"> • The appliance is not level.
The appliance seems to make too much noise.	<ul style="list-style-type: none"> • A rattling noise may come from the flow of the refrigerant, which is normal. • As each cycle ends, you may hear gurgling sounds caused by the flow of refrigerant. • Contraction and expansion of the inside walls may cause popping and crackling noises. • The appliance is not level. Readjust the feet. • The appliance is touching the wall or other object. Move it slightly.
The door(s) will not close properly.	<ul style="list-style-type: none"> • The appliance is not level. • The door gasket is dirty or bent. • The shelves, drawers or balconies are out of position.
The appliance door will not open.	<ul style="list-style-type: none"> • If the door has just been opened, leave it for a few minutes to allow the air pressure to equalise before trying again.

FAQs and Troubleshooting Guide (Cont.)

<p>The appliance freezes or cools too much.</p>	<ul style="list-style-type: none"> • The temperature is set too cold, or it is running in Super Freezing mode.
<p>Food in the freezer compartment is not properly frozen.</p>	<ul style="list-style-type: none"> • The freezer temperature is set too warm; set it to a colder setting. • A freezer door was opened for too long or too frequently. • If a large amount of food has been added to the freezer compartment, turn the temperature control to a colder setting temporarily. • The appliance is located near a heat source.
<p>Moisture forms on the inside or outside walls of the appliance.</p>	<ul style="list-style-type: none"> • Hot and humid weather increases the internal rate of frost build-up. This is normal. • Open the door less often and make sure it is always properly closed.
<p>The external appliance surface is warm.</p>	<ul style="list-style-type: none"> • The exterior walls can be warmer than room temperature. This is normal while the compressor works to transfer heat from inside the fridge or freezer compartments.
<p>Excessive frost and ice has built up.</p>	<ul style="list-style-type: none"> • A freezer door has been left open. • Something is preventing the door from closing. • The door gasket is dirty or damaged.
<p>Heavy build-up of frost on the door seal.</p>	<ul style="list-style-type: none"> • The door seal is not airtight. Carefully warm the leaking sections of the seal with a hair dryer (on a cool setting). At the same time, shape the warmed door seal by hand until it sits correctly.
<p>The compressor runs continuously.</p>	<ul style="list-style-type: none"> • The temperature is set too cold: select a warmer setting. • A door is open, or something is obstructing proper door closure. • A door gasket is worn, dirty or damaged. • Large quantities of food have been added to the appliance. • The room temperature is hotter than usual.
<p>Water on the floor.</p>	<ul style="list-style-type: none"> • The water drain is blocked. Unblock the drain following the instructions in the "Cleaning and care" section.

Other Useful Information

WARNING!

To reduce the risk of electric shock or injury, always switch off the appliance and disconnect it from the power supply before cleaning or maintenance.

Cleaning the appliance

For hygienic reasons the appliance interior, including the interior accessories, should be cleaned regularly.

- Set the fridge temperature control to the OFF position and unplug the appliance.
- Remove your frozen and refrigerated food packages from the compartments. Keep the food temporarily in another fridge or cooler bag to keep defrosting to a minimum.
- Remove all shelves and drawers.
- Wash the inside surfaces and the interior accessories with a damp, warm cloth moistened in a water and baking soda solution (about 2 tablespoons of baking soda to 1 litre of water). Wring excess water out of the cloth before cleaning around the temperature control or any electrical parts. Rinse and wipe dry with a soft cloth.
- Clean the outside of the unit with a damp, well wrung out cloth, making sure the area around the control panel remains dry. Keep the gaskets around the doors clean and free of debris.
- After everything is dry, reinstall the shelves and drawers and place the appliance back into service.

WARNING!

- Never clean the unit with an abrasive, acid, oil or solvent based cleaning agent, or with abrasive pads or scourers. Never use flammable fluids or sprays for cleaning as the fumes from these substances can create a fire hazard or explosion.
- Never clean the appliance with a steam cleaner. Moisture could accumulate in the electrical components, danger of electric shock! Hot vapours can lead to the damage of plastic parts.
- The appliance must be completely dry before it is placed back into service.

IMPORTANT!

- Ethereal oils and organic solvents can attack plastic parts, e.g. lemon juice or the juice from orange peel, butyric acid, or cleansers that contain acetic acid. Do not allow such substances to come into contact with the appliance parts.

Defrosting the appliance

Manually defrosting the freezer compartment is not necessary as this is a frost-free appliance which will be defrosted automatically.

Other Useful Information (Cont.)

Storage

If the appliance is not going to be used for an extended period of time, please store the unplugged appliance safely in the original packaging in a dry location, out of reach of children.

Interior light

The interior lamp can only be replaced by authorised service personnel. Please contact our after sales support centre for a service if the lamp needs replacing.

Service, repair and spare parts

Do not attempt to alter or modify this appliance in any way. Do not attempt to repair or replace any part of the appliance unless it is specifically recommended in this manual. All other servicing should be referred to a qualified technician and only genuine spare parts must be used. Contact our after sales support centre for advice.

Our after sales support centre stocks the following spare parts for the appliance. To purchase a part, call the centre on 1300 886 649 or email us at info@tempo.org.

Adjustable foot

Ceiling light, lamp holder and cover

Crisper drawer

Door gasket (upper and lower door)

Door hinge assembly and cover (upper and lower door, right and left)

Door rack (upper and lower door)

Damper motor of refrigerator fan, installation seat and decorative board

Decorative cover

Display control panel

Display electric board

Drain pipe and pan

Drawer assembly (lower and middle)

Drier filter

Drip tray of calorifier

Electronic control board

Freezer fan motor assembly (tunnel part)

Freezer temperature sensor

Freezer tray

Frost temperature sensor

LED light board

Magnetic control switch

Refrigerator temperature sensor

Shelf (fridge and freezer)

Slide base for flap part

Temperature and humidity sensor

Transparent cover for LED light

Other Useful Information (Cont.)

Technical specifications

Rated voltage, frequency and current	220-240V~ 50Hz 1.5A
Climate class	T
Electrical protection class	I
Input power	180W
Defrost power	220W
Lamp power	1x 3W, 1x 0.5W
Refrigerant	R600a (66g)
Insulation blowing agent	Cyclopentane
Total net / gross volume	401L / 473L
Dimensions	1800 (H) x 800 (W) x 665 (D) mm
Net weight (kg)	85.4

Compliance

This product has been fully tested and meets all requirements as set out by standards AS/NZS 60335.1 and AS/NZS 60335.2.24.



The RCM Mark (Regulatory Compliance Mark) indicates that the product complies with the relevant guidelines of the ACMA as well as corresponding government requirements for the safety of electrical devices.

Other Useful Information (Cont.)

Responsible disposal

At the end of its working life, do not throw this appliance out with your household waste. Electrical and electronic products contain substances that can have a detrimental effect on the environment and human health if disposed of inappropriately. Observe any local regulations regarding the disposal of electrical consumer goods and dispose of it appropriately for recycling and recovery of the refrigerant and blowing agent.

WARNING! This refrigeration appliance contains flammable refrigerants and insulation blowing gases, which must be removed before disposal. Contact your municipal authorities for any codes or regulations concerning the disposal of such materials.

DANGER! Risk of child entrapment: When discarding this or another refrigerator, pull the plug out of the socket, cut the connection cable (as close to the appliance as you can) and remove the doors to prevent playing children to suffer electric shock or to get trapped inside the appliance. If the discarded appliance has a spring lock (latch) on the door or lid, make the spring lock unusable to prevent it from becoming a death trap for children.

Warranty returns

Should you for any reason need to return this product for a warranty claim, make sure to include all accessories with the product.

Product does not work?

If you encounter problems with this product, or if it fails to perform to your expectations, make sure to contact our After Sales Support Centre for advice.

For an electronic copy of this manual, please contact our after sales support centre.

Instruction Manual Revision Index

Version No	Issue Date	Description
V1.0	25 March 2020	Original release